

Technical data sheet

9000 Relay unit

Art. no 17569



DESCRIPTION:

Type 9000 is a relay unit for activation of an external signal device.
Wall mounted.



ELECTRICAL SPECIFICATIONS:

Relay coil (load)	24VDC/1200 Ω
Switching capacity	6.3A / 250VAC
Termination	Screw terminals $\leq 2.5\text{mm}^2$
Compass safe distance	>5m

ENVIRONMENTAL SPECIFICATIONS:

Temperature	-25°C to +55°C (Storage: -30°C to +70°C)
Humidity	+93% (at +40°C)
Protection	IP56

Technical data sheet

9000 Relay unit

Art. no 17569



MECHANICAL SPECIFICATIONS:

Dimension (WxHxD)	130x124x52mm, wall mounted
Weight	0,3kg
Material	PC / ABS blend, ABS
Colour	RAL 9005 / 9006
Mounting	Wall
Fixing	See inside box
Access	Front
Cable entry	Bottom/Top
Gland type	3 pcs M20
Manufacturer	Jotron AS

CERTIFICATES / COMPLIANCES:

Complies to IEC 60945 Marine equipment
--

PRODUCT RELATED TO:

CIS 3100/3101/3102	Command Interface System, Master stations
CIS 3130/3131/3132	Command Interface System, Master and remote stations
BTS 40xx	Batteryless Telephone System
SPA 1500/MPA 1600	Public Address and General Alarm system

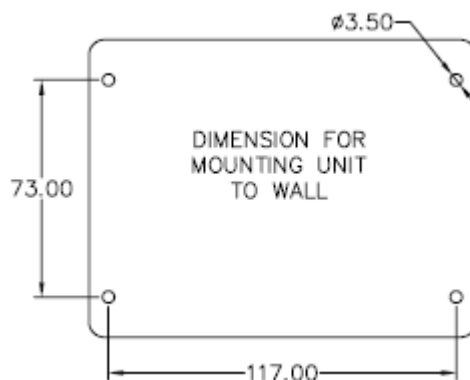
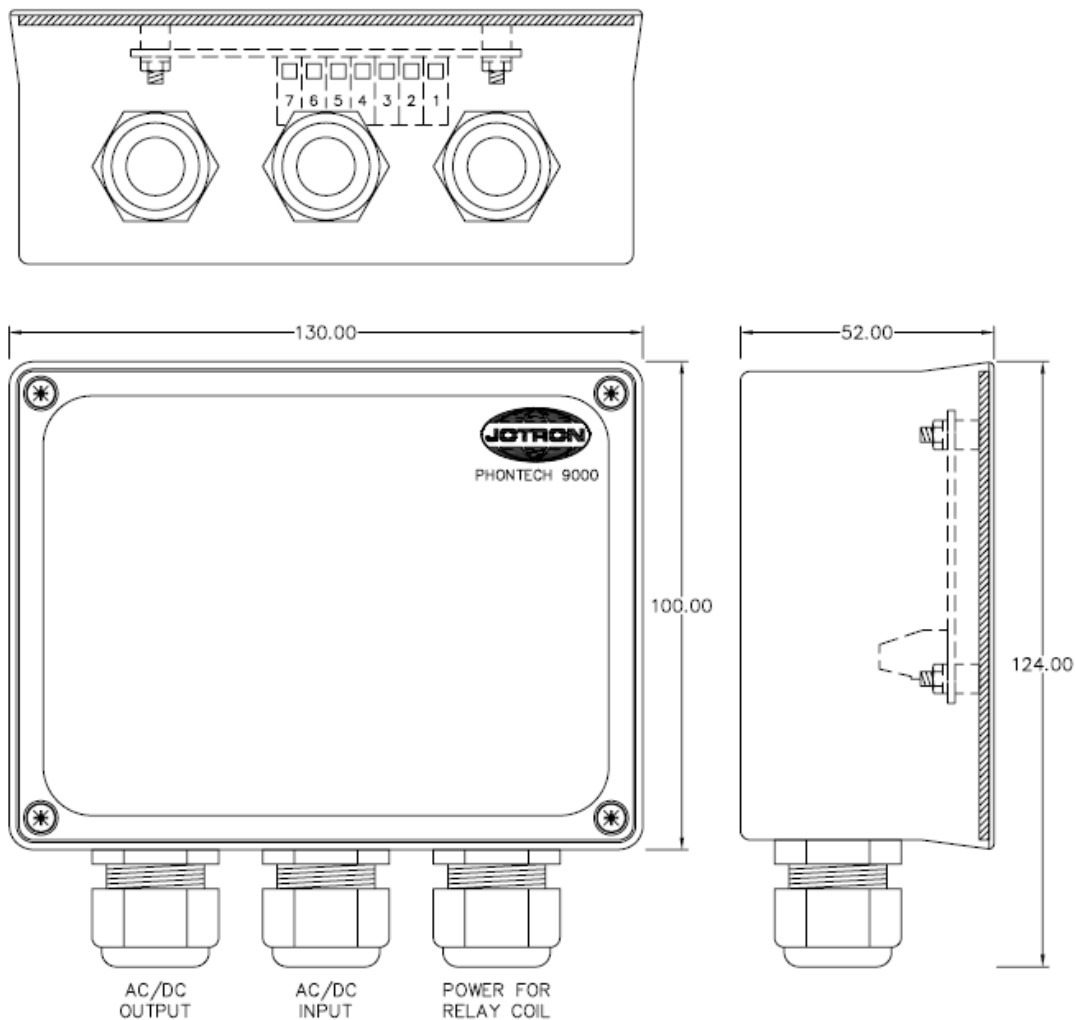
Technical data sheet

9000 Relay unit

Art. no 17569



DIMENSION / LAYOUT



Technical data sheet

9000 Relay unit

Art. no 17569

