

Technical data sheet

9009 Call unit with socket

Art. no 17574



DESCRIPTION:

9009 is a weatherproof Command Intercom System (Talkback) substation for industrial and outdoor environments. It interfaces the pluggable, portable talk back unit, 0010, for 2-way communication. The unit is equipped with a CALL button for attention request.

FEATURES:

- Connector for portable talk-back unit 0010
- CALL button



ELECTRICAL SPECIFICATIONS:

Termination	From central/line supply
	Screw terminals, $\geq 2.5\text{mm}^2$
Compass safe distance	>5m

ENVIRONMENTAL SPECIFICATIONS:

Temperature	-25°C to +55°C (Storage: -25°C to +70)
Humidity	+93% (at +40°C)
Protection	IP56

Technical data sheet

9009 Call unit with socket

Art. no 17574



MECHANICAL SPECIFICATIONS:

Dimension (WxHxD)	130x124x52mm (depth 73mm incl. connector)
Weight	0.3kg
Material	PC / ABS blend, ABS
Colour	RAL 9005 / 9006
Mounting	Wall
Fixing	4 pcs M3 bolts
Access	Front
Cable entry	Bottom/top
Gland type	1 pcs M20
Manufacturer	Jotron AS

CERTIFICATES / COMPLIANCES:

Complies to IEC 60945 Marine equipment
The unit has a RMRS type approval

PRODUCT RELATED TO:

CIS 3100/3101/3102/3130	Command Interface System
0010	Portable talk-back unit

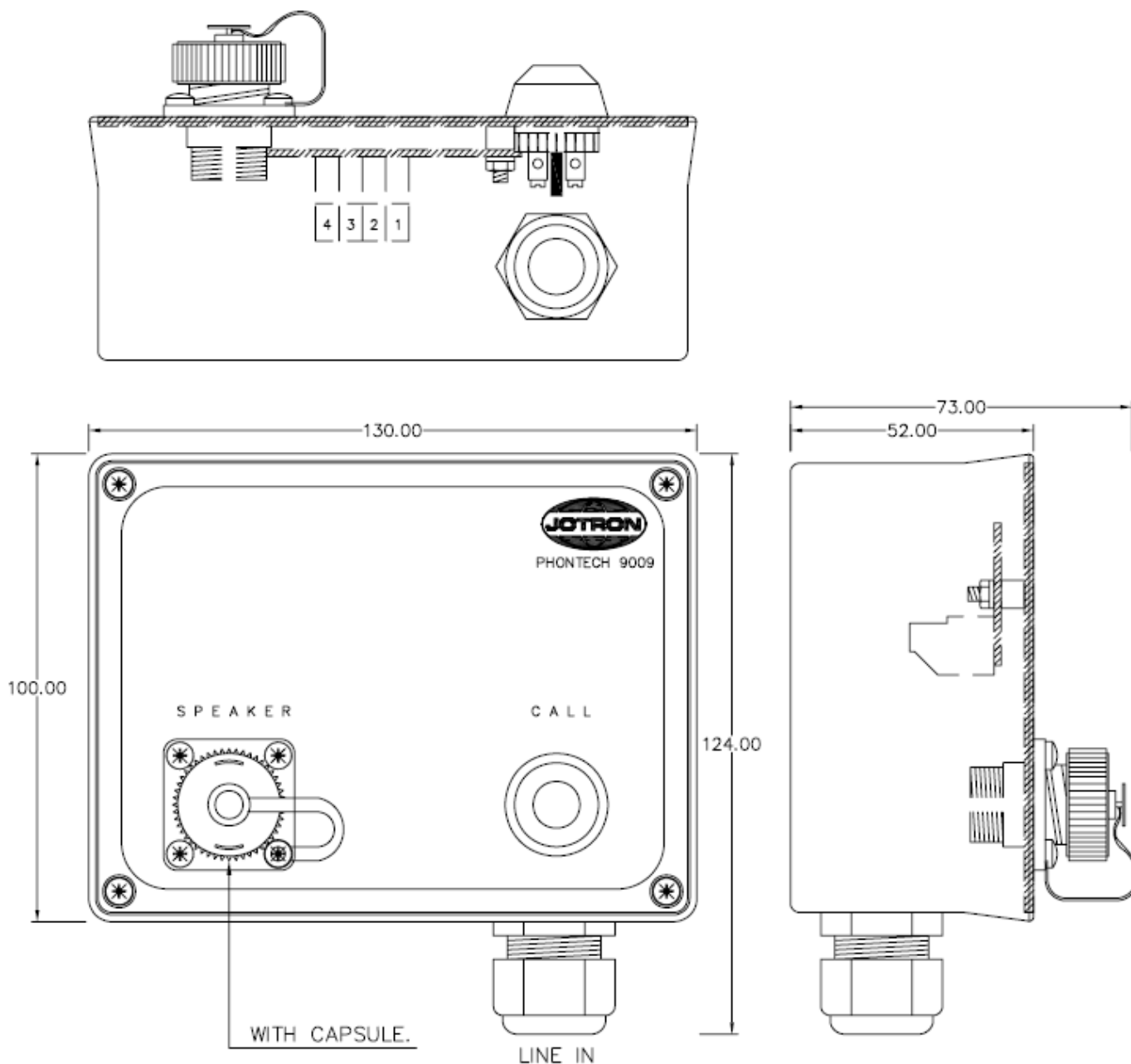
Technical data sheet

9009 Call unit with socket

Art. no 17574



DIMENSION / LAYOUT



Technical data sheet

9009 Call unit with socket

Art. no 17574

