

# Technical data sheet

## 4060 BTS Telephone unit

Art. no 16780



### DESCRIPTION:

4060 is a console mounted batteryless telephone. It has a 12 lines selector for extension calls. It will operate in a BTS 4000 emergency/backup system as one of up to 12 units. One of these units must be a 4061 which has an integrated amplifier. It operates by means of a handset, but the unit can also use a headset in noisy environments. It can also operate an optional relay module/unit for visual call alert.

### FEATURES:

- 12 lines
- Handset with PTT button
- Noise cancelling microphone
- Piezo- electric buzzer for call indication
- Call led
- 20 seconds call delay timer (external power supply required)
- Call stop button
- Back lighting of the call stop button (external power supply required)



### ELECTRICAL SPECIFICATIONS:

Power supply	22-32 VDC
Power consumption	1.0 W (max – when supplied from a power source)
Heat dissipation (typ/max)	≈ 0 W
Crank voltage	≈ 10 - 40 VDC
Impedance Ear/Mic	120Ω / 150Ω
Termination	Screw terminals ≤1.5mm <sup>2</sup>
Compass safe distance	≥ 1.7m

### ENVIRONMENTAL SPECIFICATIONS:

Temperature	-15°C to +55°C
Humidity	+93% (at +40°C)
Protection	IP 22

# Technical data sheet

## 4060 BTS Telephone unit

Art. no 16780



### MECHANICAL SPECIFICATIONS:

Dimension (WxHxD)	144x240x157.5mm
Weight	1.15kg
Material	Aluminium / PC
Colour	RAL 9005 / Aluminium
Mounting	Flush / Console
Fixing	4 pcs M4 bolts
Access	Front
Cable entry	Rear
Manufacturer	Jotron AS

### CERTIFICATES / COMPLIANCES:

IEC 60945 Marine equipment

The unit has a DNV/ABS/RMRS/CCS type approval and are also compatible with NORSOK.

### PRODUCT RELATED TO:

BTS 4000 (4050, 4061)	Batteryless Telephone System
9026	Dimmer Module
9000	Relay Unit
4018	Plugbox for headset
0018 / 9010	Headsets
15056	Plug-in Relay for External Signal
315213	Wallbox for 4060
16035	Table Console for 4060
4052	Junction box for max 4 telephones
4053	Junction box for max 12 telephones

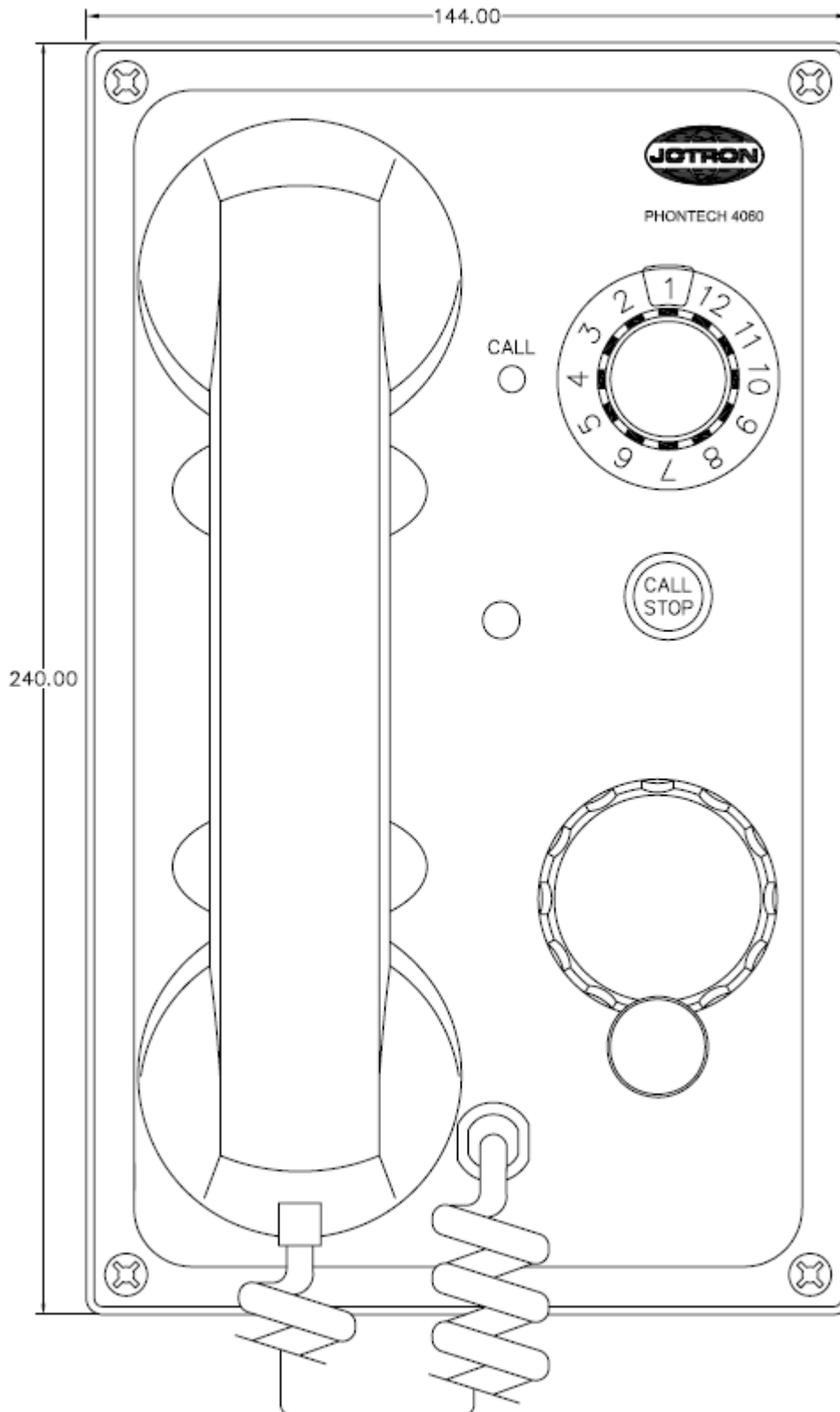
# Technical data sheet

## 4060 BTS Telephone unit

Art. no 16780



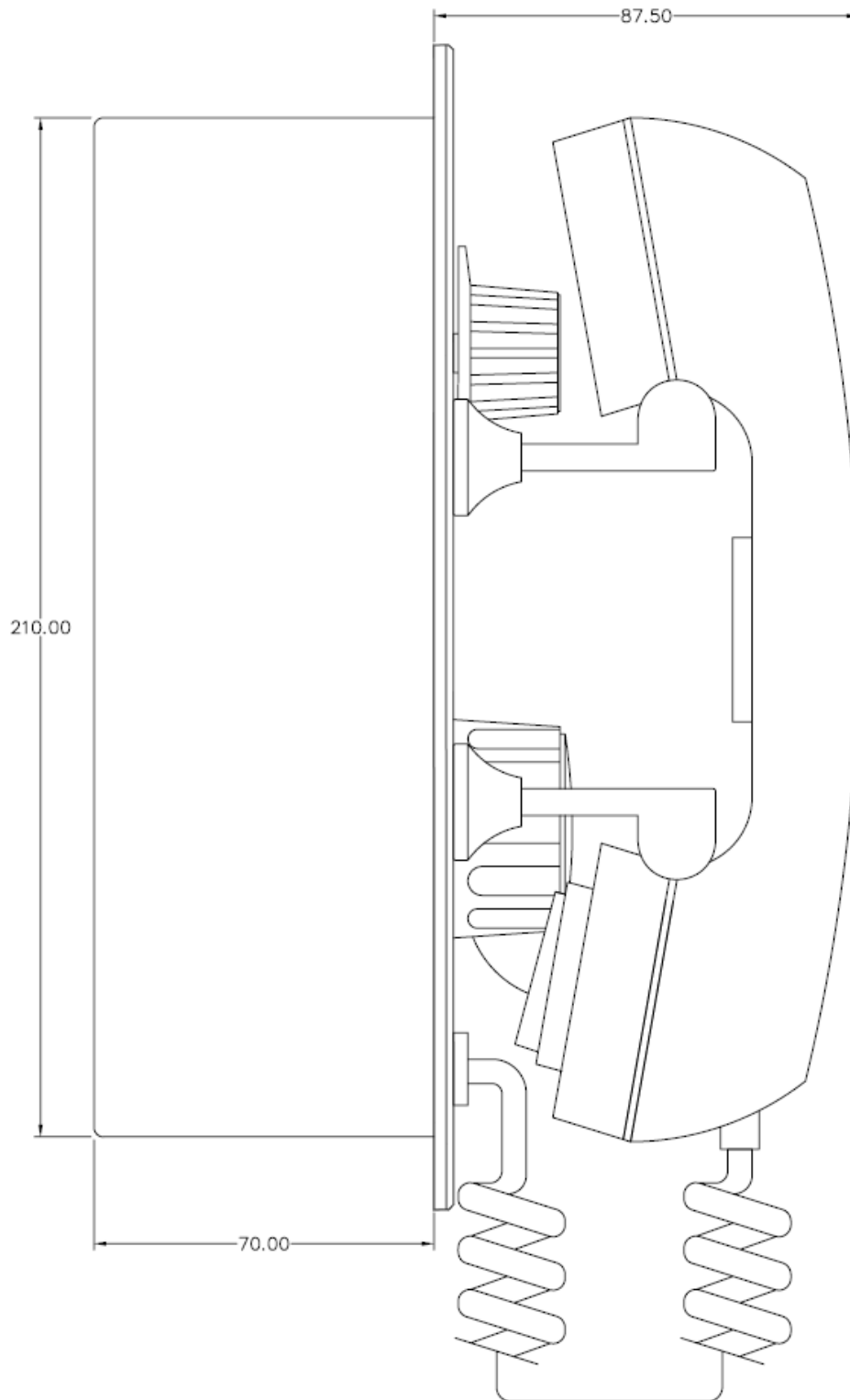
### DIMENSION / LAYOUT



# Technical data sheet

## 4060 BTS Telephone unit

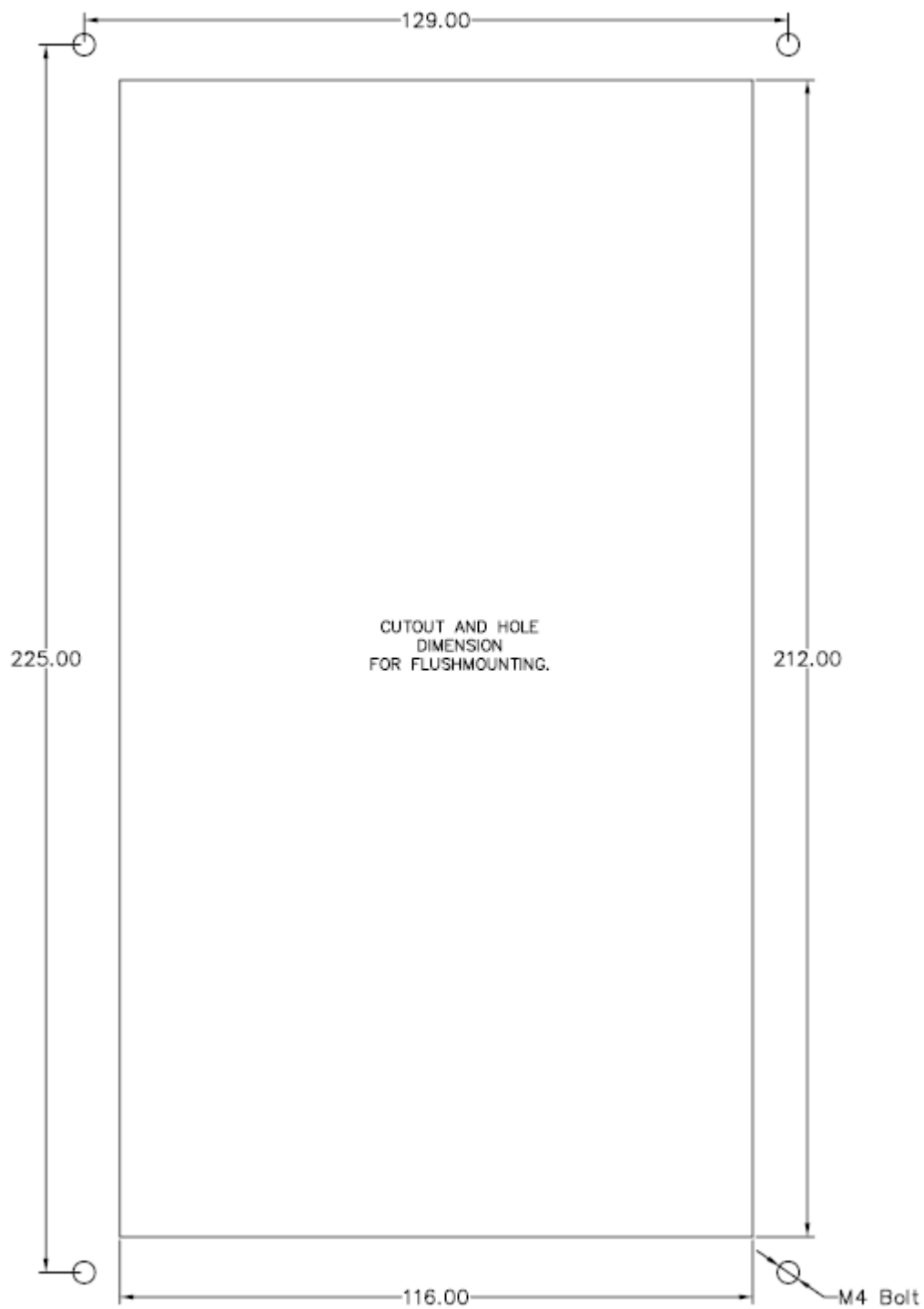
Art. no 16780



# Technical data sheet

## 4060 BTS Telephone unit

Art. no 16780



# Technical data sheet

## 4060 BTS Telephone unit

Art. no 16780



### BTS TELEPHONE UNIT 4060

