

Technical data sheet

4040 Telephone

Art. no 16854



DESCRIPTION:

4040 is a console mounted batteryless telephone. It has a 24 lines selector for extension calls. It will operate in a BTS 4000 emergency/backup system as one of up to telephone 24 units. A system consisting of 4040's require an additional batteryless amplifier unit, type 4000. It operates by means of a handset, but the unit can also use a headset in noisy environments. It can also operate an optional relay module/unit for visual call alert.

FEATURES:

- 24 lines
- Handset with PTT button
- Noise cancelling microphone
- Piezo- electric buzzer for call indication
- Call led
- 20 seconds call delay timer (external power supply required)
- Call stop button
- Back lighting of the call stop button (external power supply required)



ELECTRICAL SPECIFICATIONS:

Power supply	22-32 VDC
Power consumption	1.0 W (max – when supplied from a power source)
Heat dissipation (typ/max)	≈ 0 W
Crank voltage	≈ 10 - 40 VDC
Impedance Ear/Mic	120Ω / 150Ω
Termination	Screw terminals ≤1.5mm ²
Compass safe distance	≥ 1.7m

ENVIRONMENTAL SPECIFICATIONS:

Temperature	-15°C to +55°C
Humidity	+93% (at +40°C)
Protection	IP 22

Technical data sheet

4040 Telephone

Art. no 16854



MECHANICAL SPECIFICATIONS:

Dimension (WxHxD)	144x240x157.5mm
Weight	1.15kg
Material	Aluminium / PC
Colour	RAL 9005 / Aluminium
Mounting	Flush / Console
Fixing	4 pcs M4 bolts
Access	Front
Cable entry	Rear
Manufacturer	Jotron AS

CERTIFICATES / COMPLIANCES:

IEC 60945 Marine equipment
The unit has a DNV/ABS/RMRS/CCS type approval and are also compatible with NORSOK.

PRODUCT RELATED TO:

BTS 4000 (4000)	Batteryless Telephone System (amplifier unit)
9026	Dimmer Module
9000	Relay Unit
4018	Plugbox for headset
0018 / 9010	Headsets
15056	Plug-in Relay for External Signal
315213	Wallbox for 4040
16035	Table Console for 4040
4052	Junction box for max 4 telephones
4053	Junction box for max 12 telephones

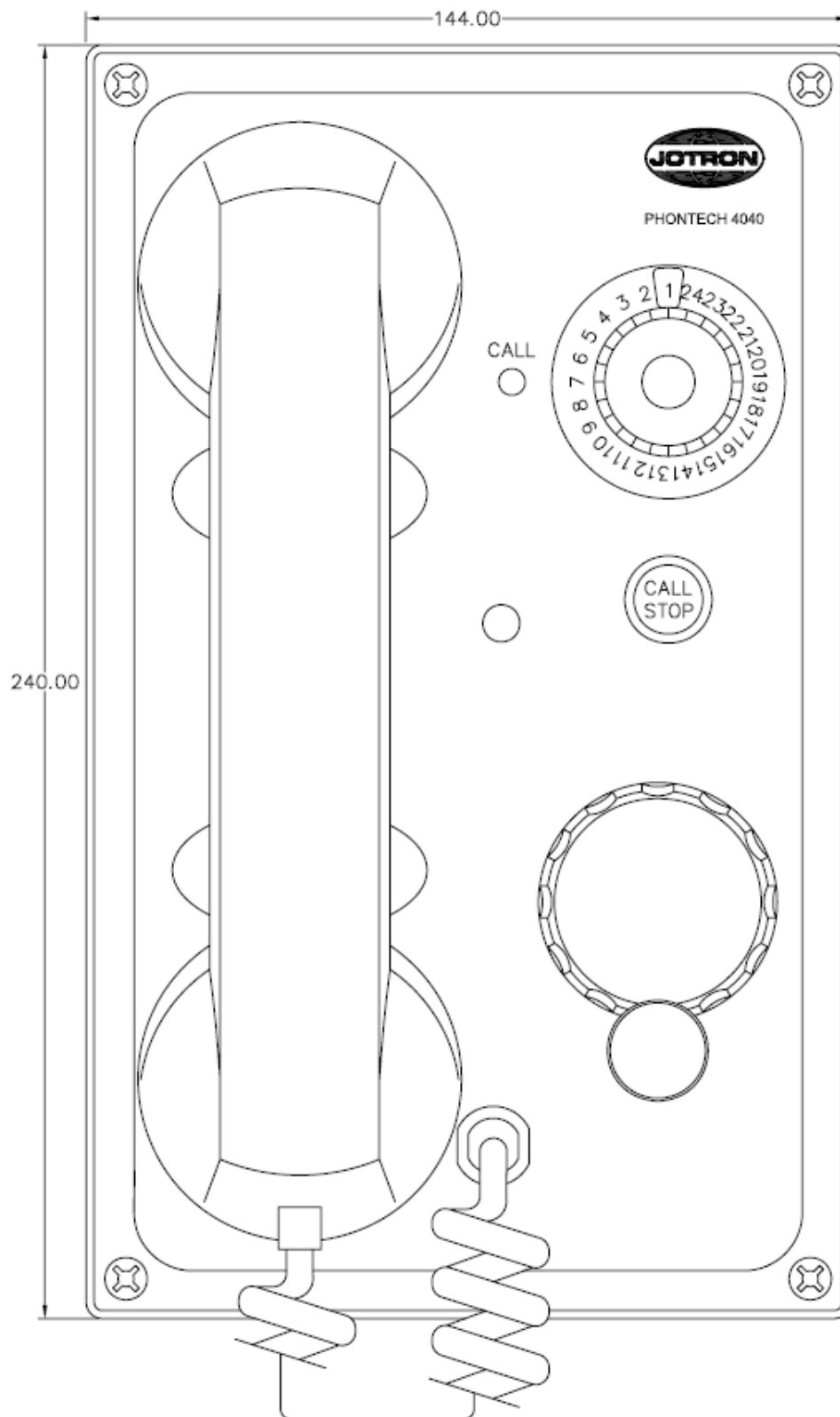
Technical data sheet

4040 Telephone

Art. no 16854



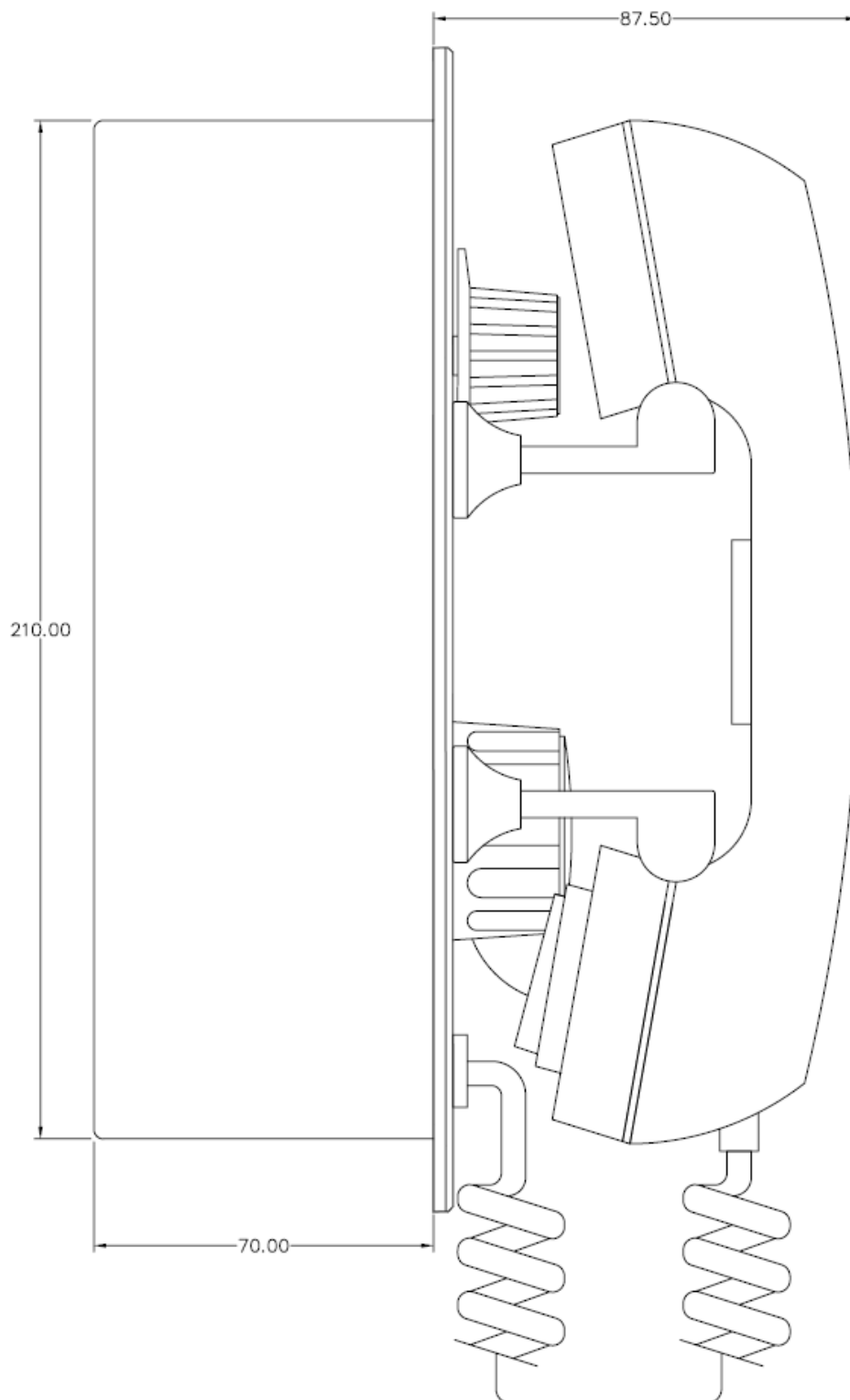
DIMENSION / LAYOUT



Technical data sheet

4040 Telephone

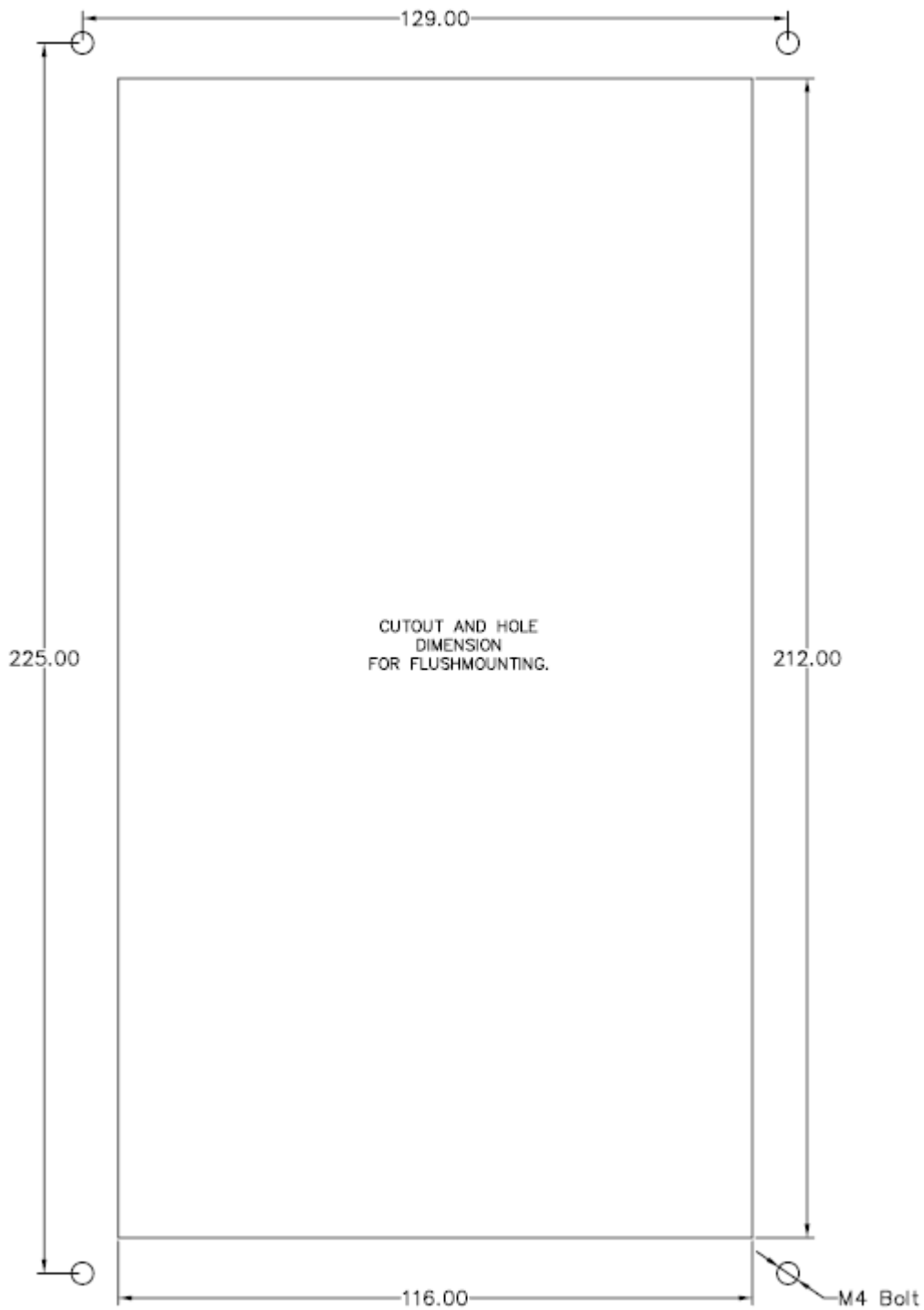
Art. no 16854



Technical data sheet

4040 Telephone

Art. no 16854



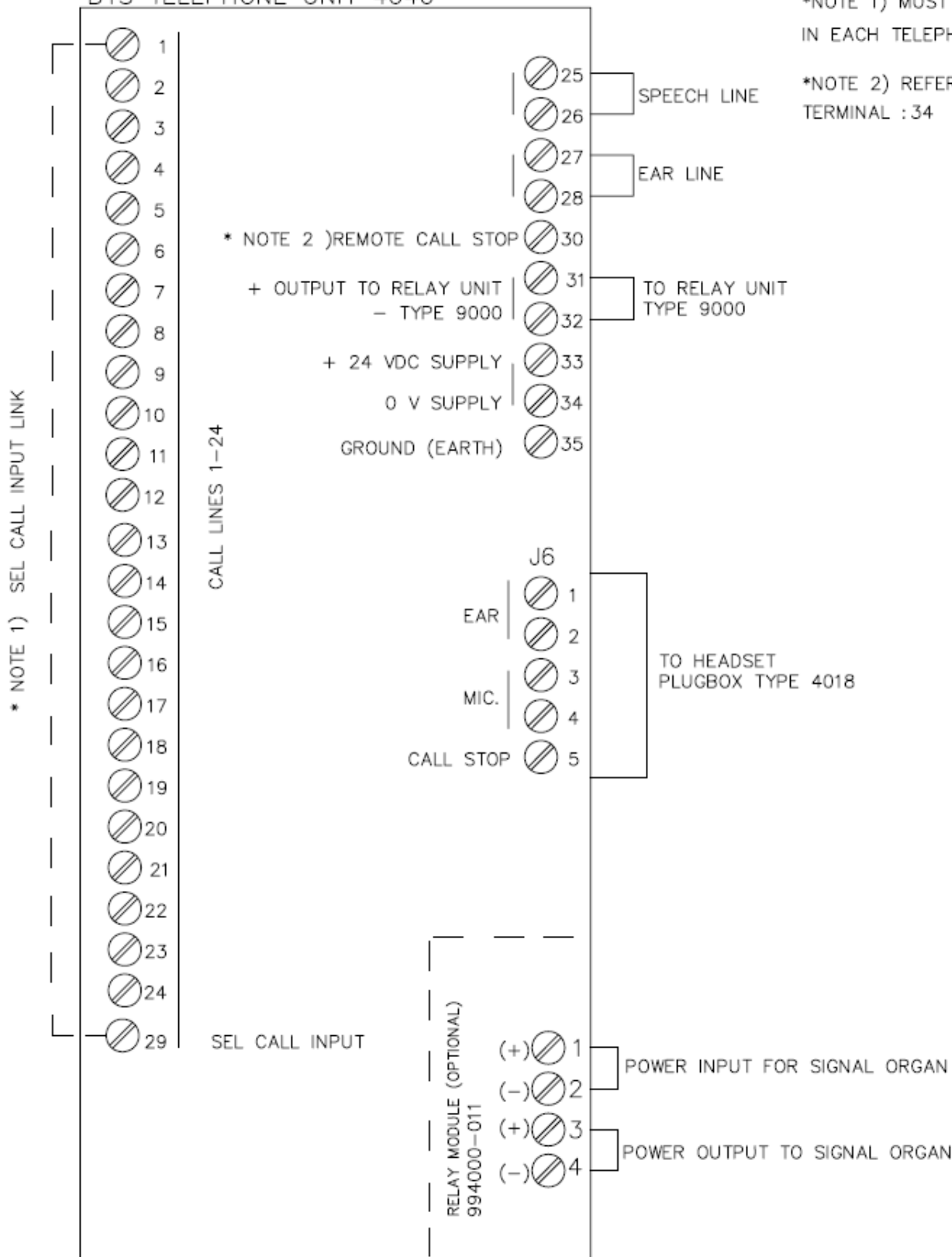
Technical data sheet

4040 Telephone

Art. no 16854



BTS TELEPHONE UNIT 4040



*NOTE 1) MUST BE INSTALLED IN EACH TELEPHONE.

*NOTE 2) REFERENCE TERMINAL : 34